

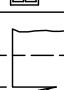
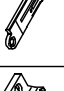









SIRUBA GAGE PARTS LIST	Series	Remark	Page	Date
	L918U	RM1	1/2	2012/1/10

L918U-RM1 規格件表 / CONVERSION CHART

														
MODEL	SUB-CLASS	OPERATING PANEL	GAUGE WIDTH	NEEDLE PLATE	FEED DOG	PRESSER FOOT	HOOK ASM	BOBBIN CASE ASM	BOBBIN	THROAT PLATE CHIP GUARD	NEEDLE	THREAD GUIDE	THROAT PLATE COVER	HAND WHEEL
機 型	規 格	操 作 盒	切 邊 距 離	針 板	送 具	押 具	梭 頭	梭 殼	梭 子	下 導 布 架	針 號	導 線 片	布 板 蓋	皮 帶 輪
L918-RM1-32-10 L918-RM1-32-13	32		1/8" (3.2mm) (E705S)	E705Q (E705S)	D705 (D70Q)	P705 (P701)	G121	G202	G303	LR254D (LR254)	DBX1#14	LR141S (LR106S-E) (LR106)		
L918-RM1-40-10 L918-RM1-40-13	40	L-900	5/32" (4.0mm) (E705R)	E705R (E705Q)	D705	P705	G121	G202	G303	LR254D	DBX1#14	LR141S (LR106-E)		LH01-A1

() 之規格件放於夾鏈袋裝于成車箱內, BOM 表編號A0站。

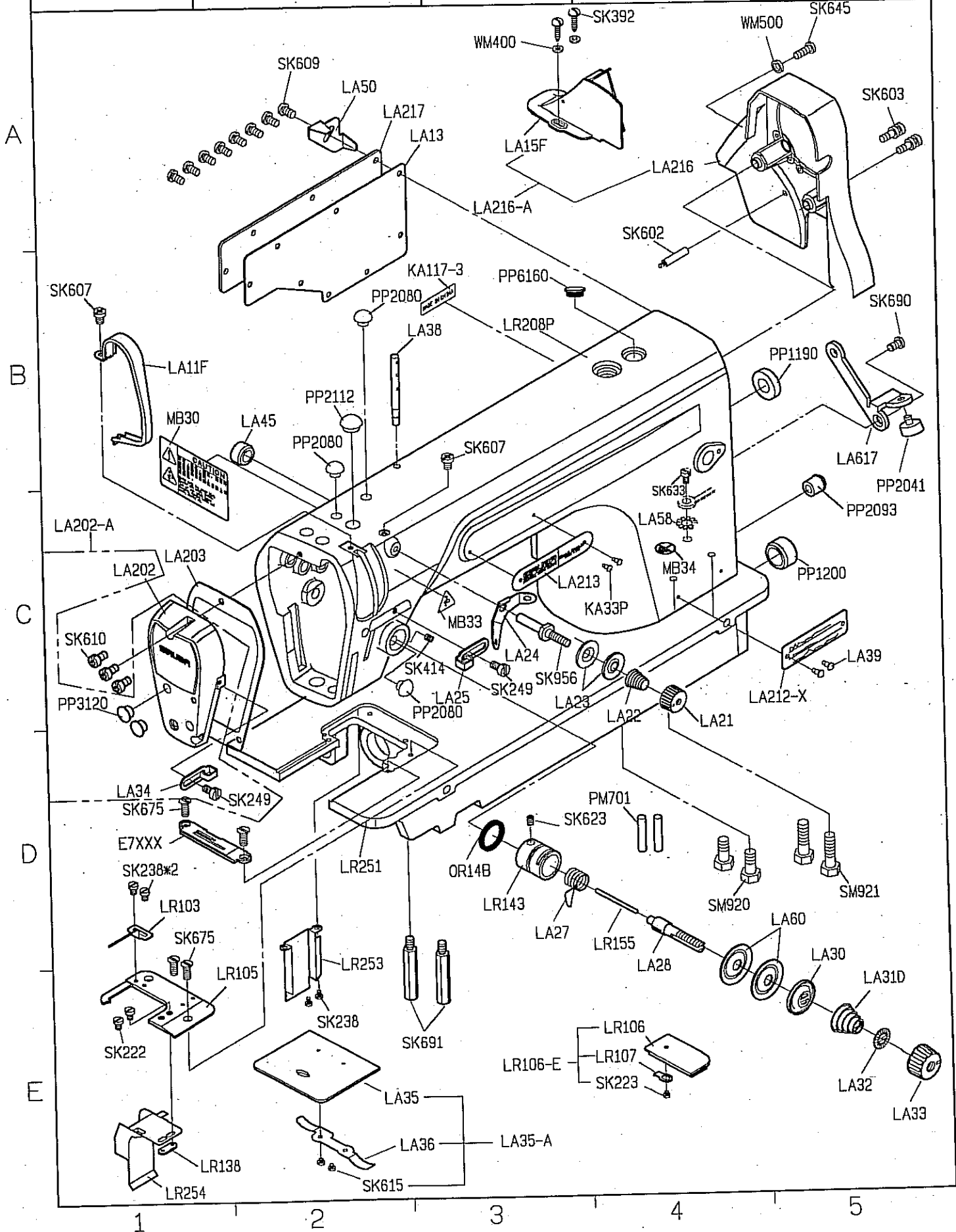
SIRUBA GAGE PARTS LIST	Series	Remark	Page	Date
	L918U	RM1	2 / 2	2012/1/10

L918U-RM1 規格件表 / CONVERSION CHART

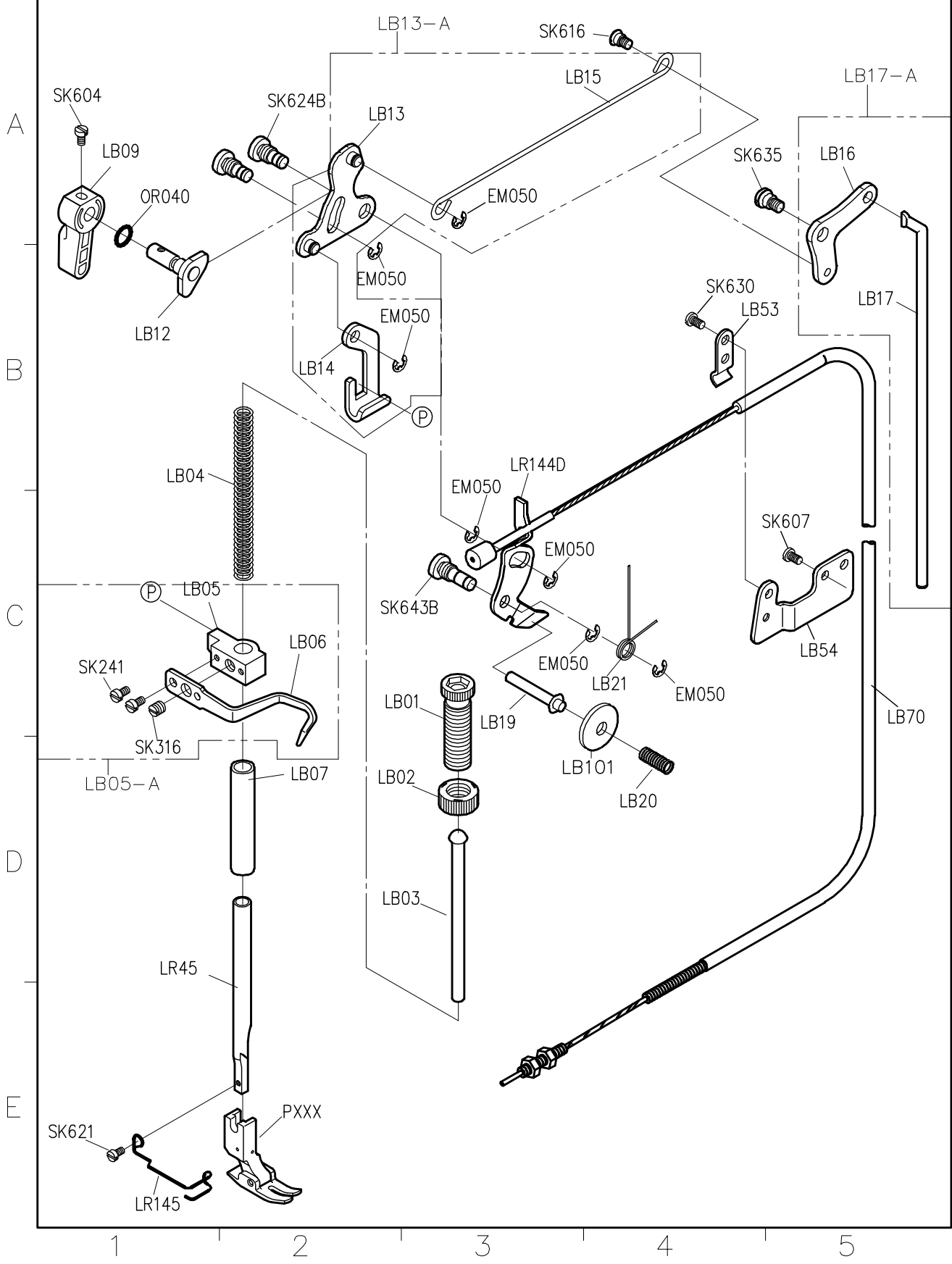
MODEL	SUB-CLASS	OPERATING PANEL	GAUGE WIDTH	NEEDLE PLATE	FEED DOG	PRESSER FOOT	HOOK ASM	BOBBIN CASE ASM	BOBBIN	THROAT PLATE CHIP GUARD	NEEDLE	THREAD GUIDE	THROAT PLATE COVER	HAND WHEEL
機 型	規 格	操 作 盒	切 邊 距 離	針 板	送 具	押 具	梭 頭	梭 殼	梭 子	下 導 布 架	針 號	導 線 片	布 板 蓋	皮 帶 輪
L918-RM1-48-10 L918-RM1-48-13	48	L-900	3/16" (4.8mm)	E705 (E705Q)	D705	P705	G121	G202	G303	LR254D	DBX1 #14	LR141S (LR106-E)	LR106-E	LH01-A1
L918-RM1-64-10 L918-RM1-64-13	64		1/4" (6.4mm)	E705S (E705Q)	D702 (D705)	P701 (P705)	G121	G202	G303	LR254 (LR254D)	DBX1 #14	LR141S (LR106)	LR106-E (LR106)	
L918-RM1-95-10 L918-RM1-95-13	95		3/8" (9.5mm)	E705T (E705Q)	D702 (D705)	P701 (P705)	G121	G202	G303	LR254 (LR254D)	DBX1 #14	LR141S (LR106-E)	LR106T-E (LR106)	

() 之規格件放於夾鏈袋裝于成車箱內, BOM 表編號40站.

SIRUBA PARTS LIST	Series	Parts Group	Subclass / Remark	Page
	L918U-RM1	LA		1/1
				Date 2013/03/26

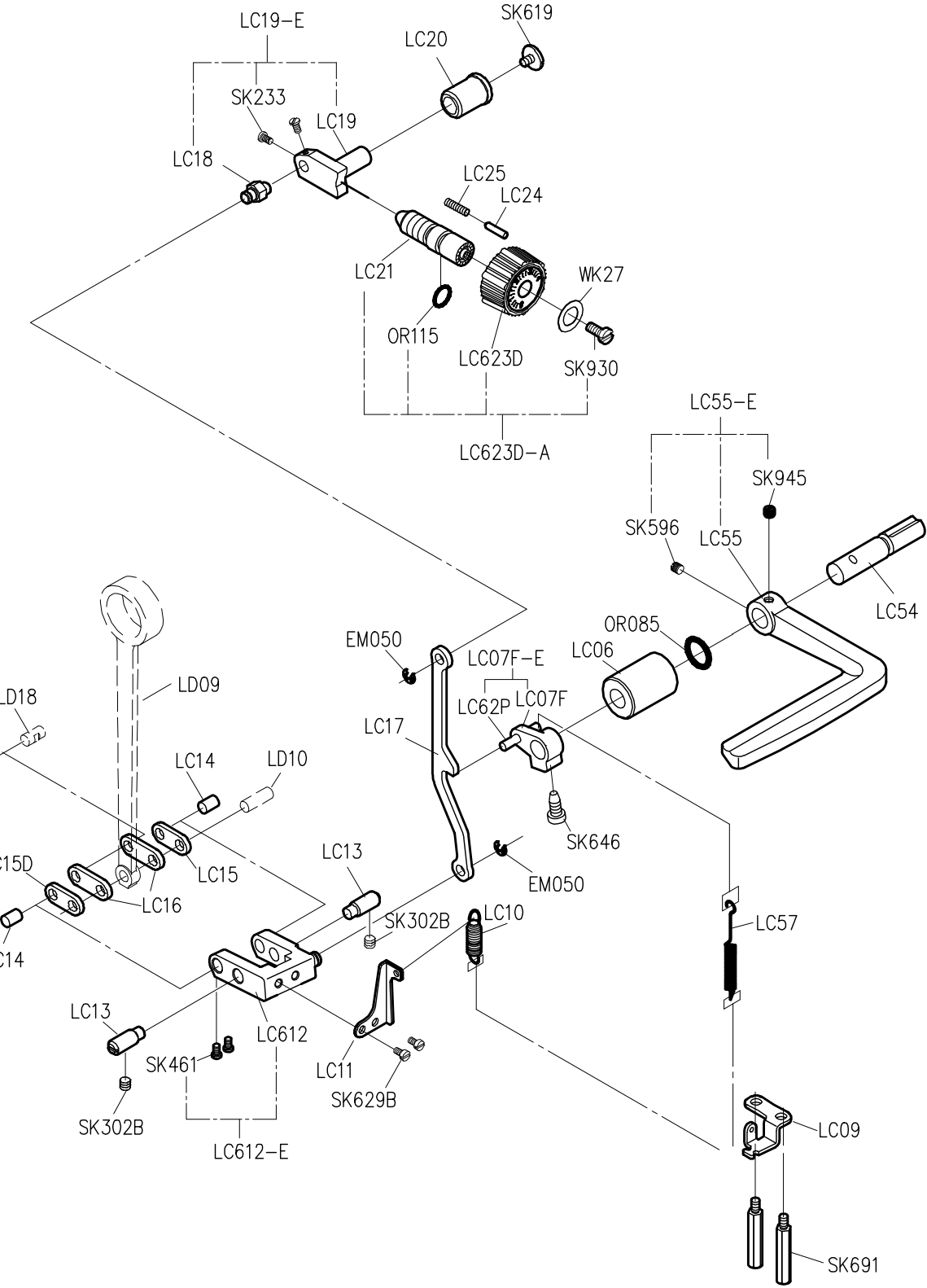


SIRUBA PARTS LIST	Series	Parts Group	Subclass / Remark	Page
	L918U-RM1	LB		1/1
				Date
				2012/11/01



SIRUBA PARTS LIST	Series	Parts Group	Subclass / Remark	Page
	L918U-RM1	LC		1/1
				Date
				2012/11/01

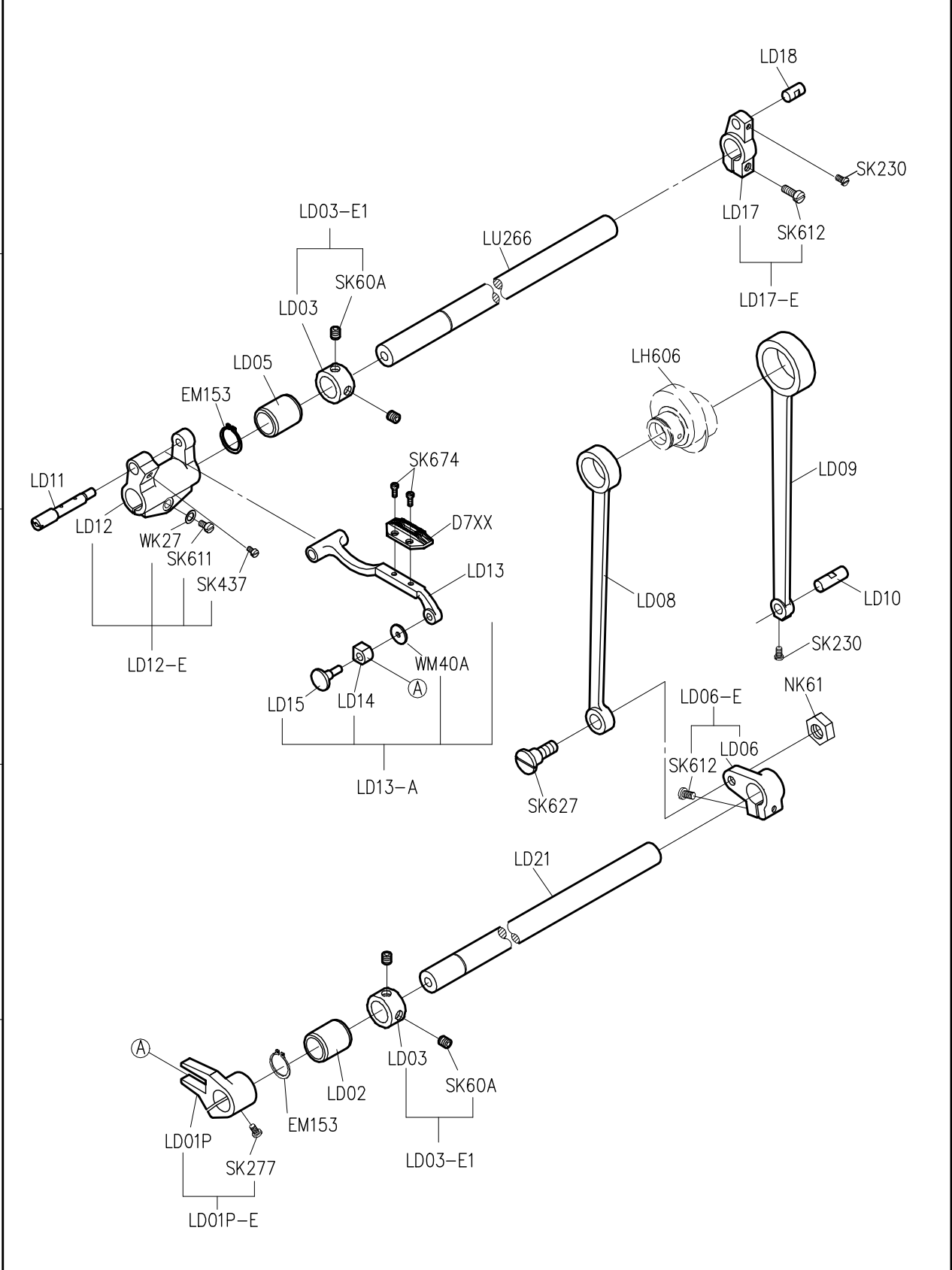
A
B
C
D
E



1 2 3 4 5

SIRUBA PARTS LIST	Series	Parts Group	Subclass / Remark	Page
	L918U-RM1	LD		1/1
				Date
				2012/11/01

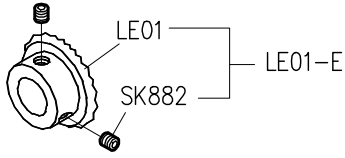
A
B
C
D
E



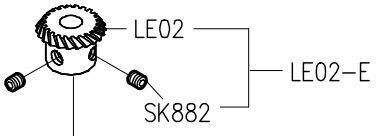
1 2 3 4 5

SIRUBA PARTS LIST	Series	Parts Group	Subclass / Remark	Page
	L918U-RM1	LE		1/1
				Date
				2013/01/10

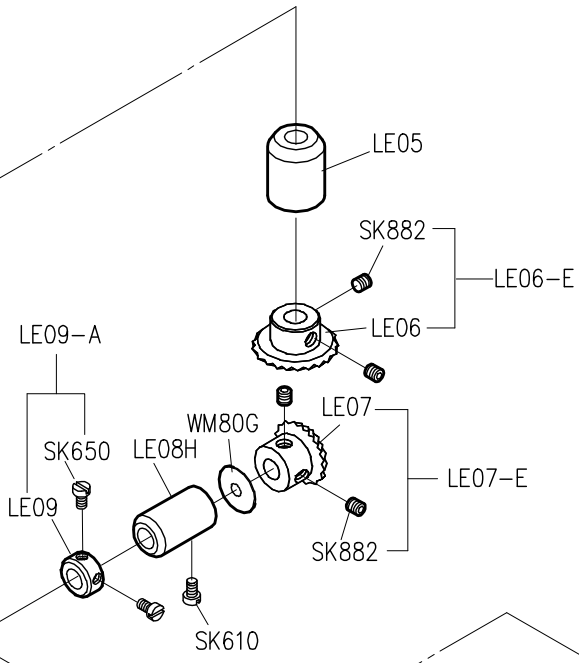
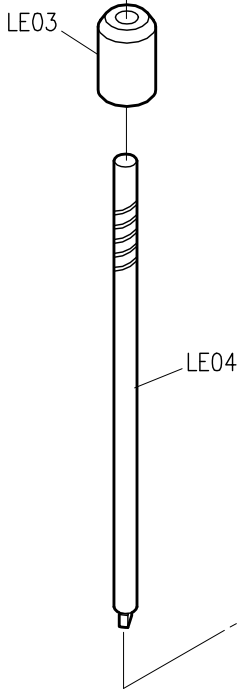
A



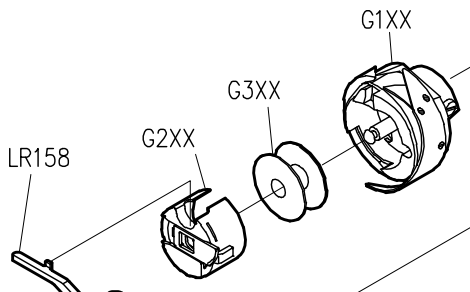
B



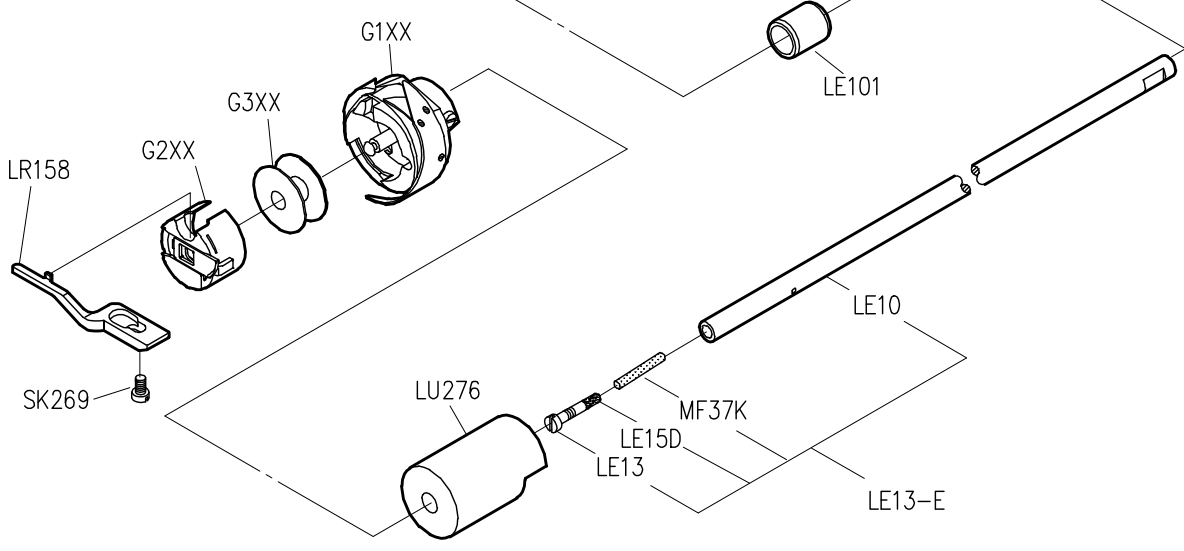
C



D

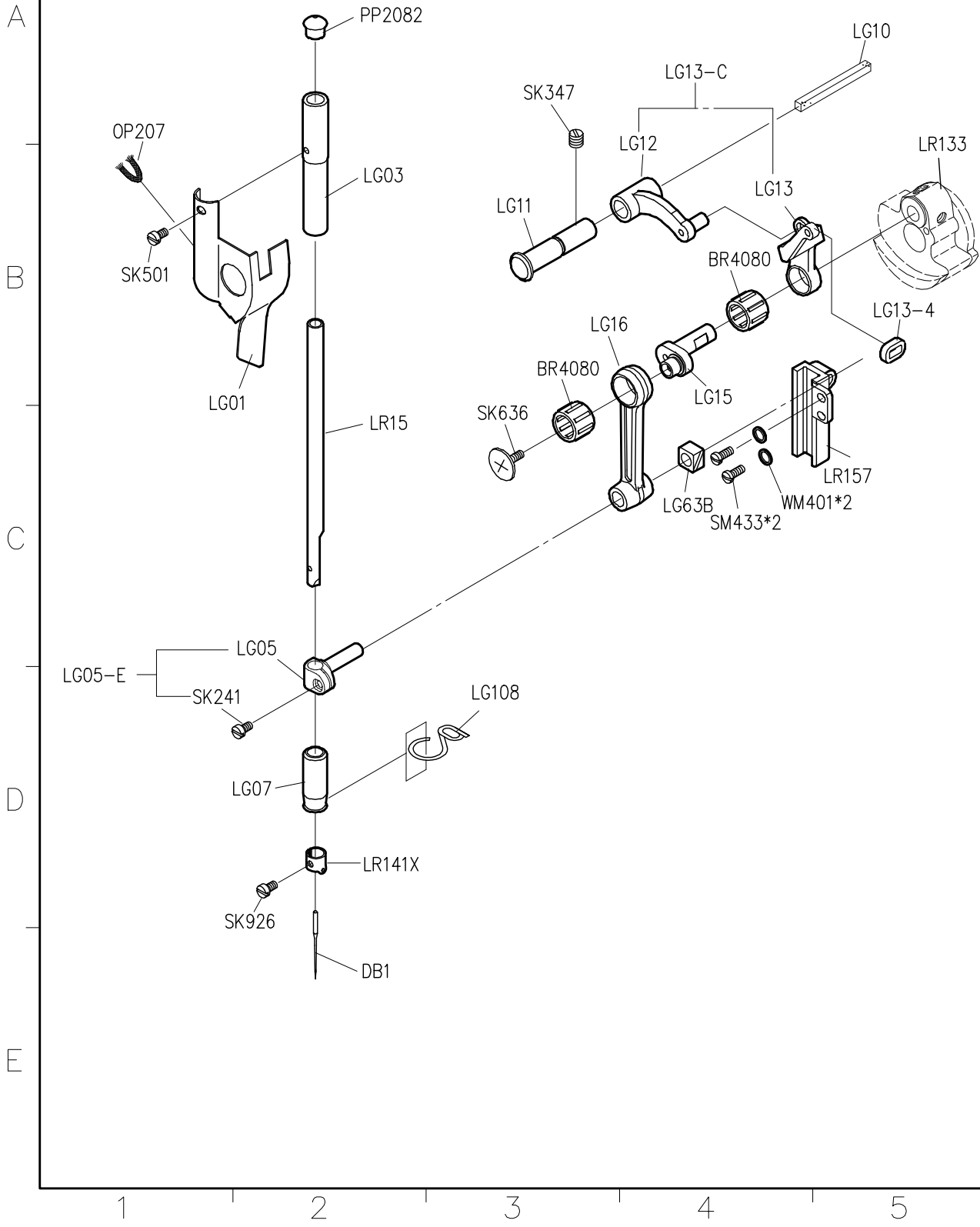


E

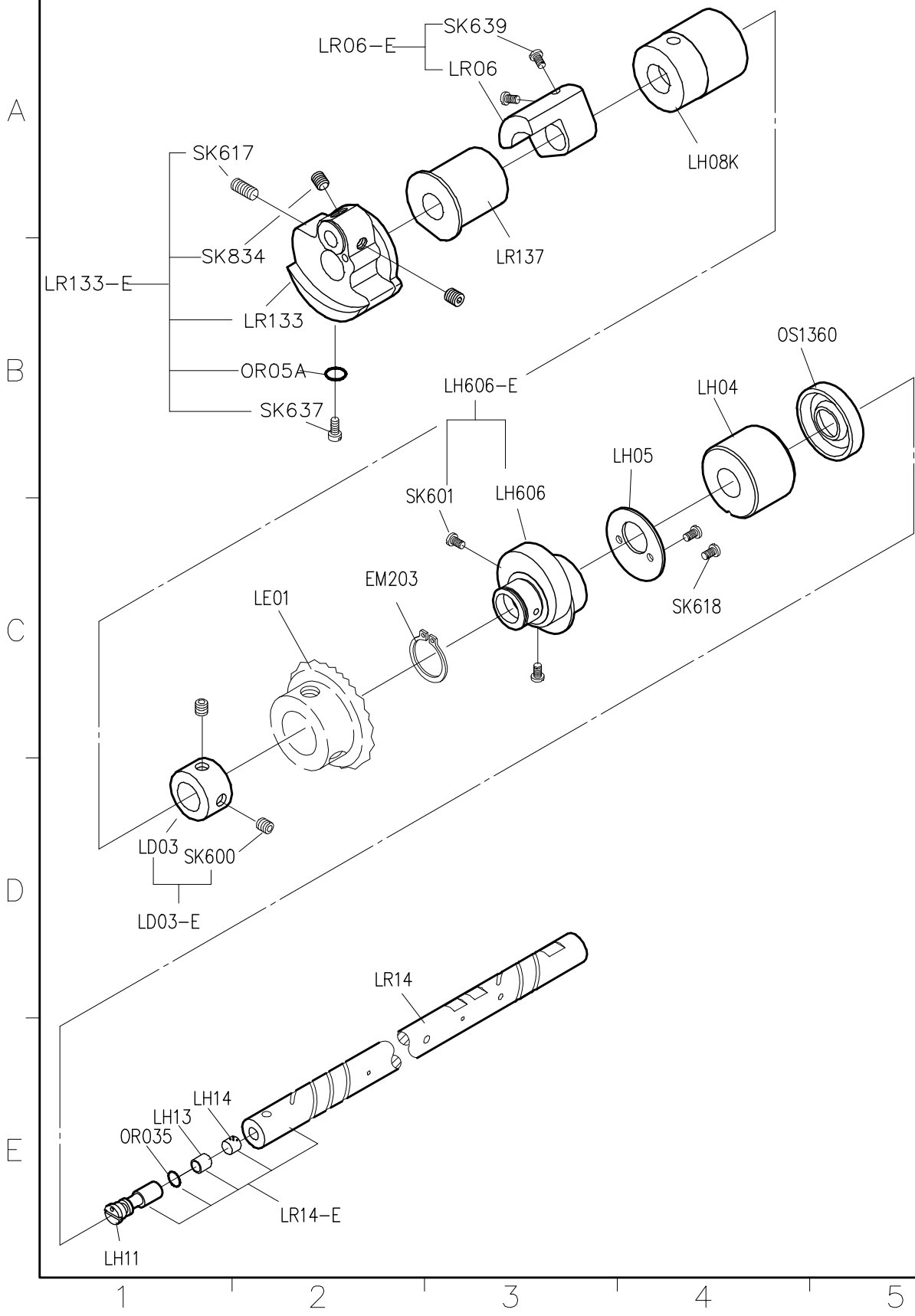


1 2 3 4 5

SIRUBA PARTS LIST	Series	Parts Group	Subclass / Remark	Page
	L918U-RM1	LG		1/1
				Date
				2012/11/01



SIRUBA PARTS LIST	Series	Parts Group	Subclass / Remark	Page
	L918U-RM1	LH		1/2
				Date
				2012/11/01



SIRUBA PARTS LIST	Series	Parts Group	Subclass / Remark	Page
	L918U-RM1	LH		2/2
				Date
				2012/11/01

	擺動式切刀	旋轉式切刀
A		
B		
C	LH01-A1	LH101-A1
D		
E	LH01Q-E	LH101Q-A1

1

2

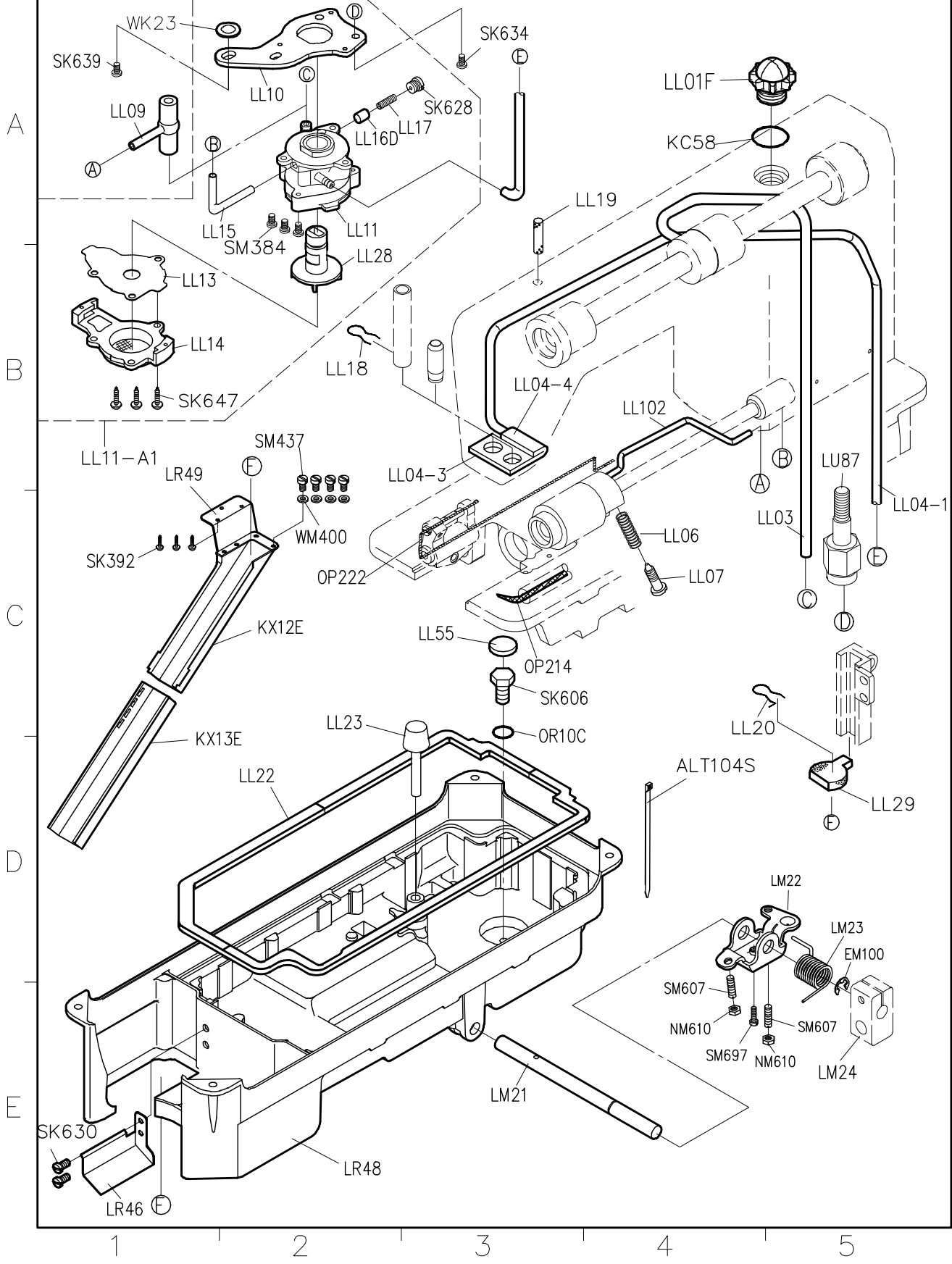
3

4

5

H
廠
牌
馬
達其他
廠
牌
馬
達
(可
加
後
拉
輪)

SIRUBA PARTS LIST	Series	Parts Group	Subclass / Remark	Page
	L918U-RM1	LL		1/1
				Date
				2012/12/27

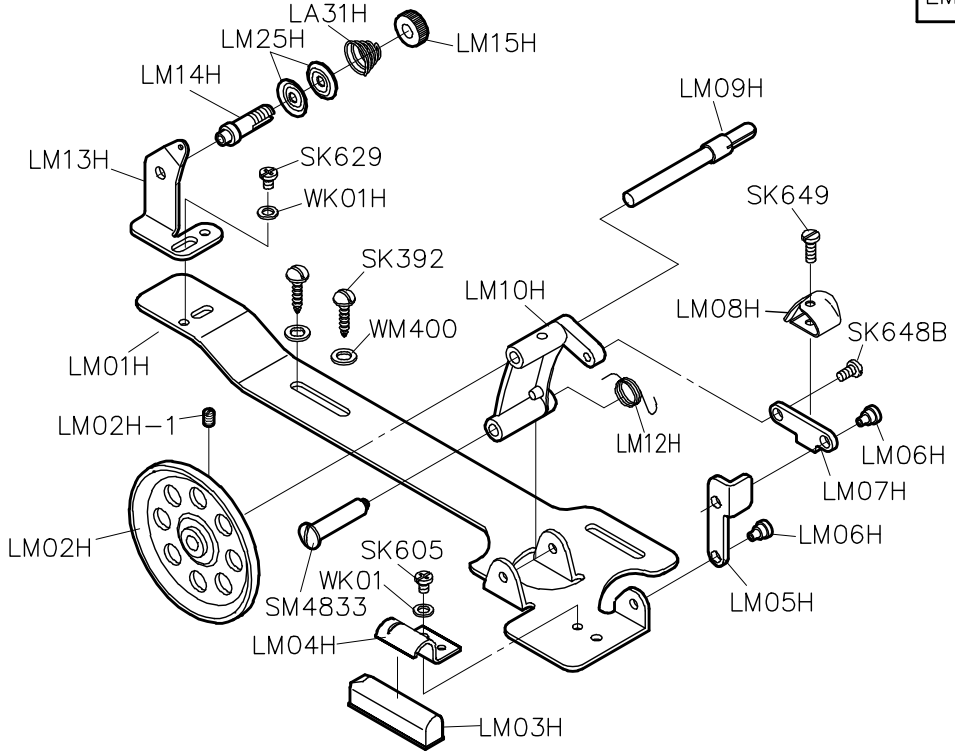


SIRUBA PARTS LIST	Series	Parts Group	Subclass / Remark	Page
	L918U-RM1	LM		1/1
				Date
				2012/11/01

LM01H-A

A

B



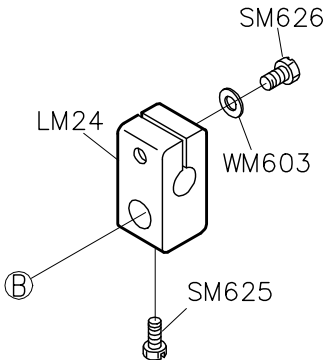
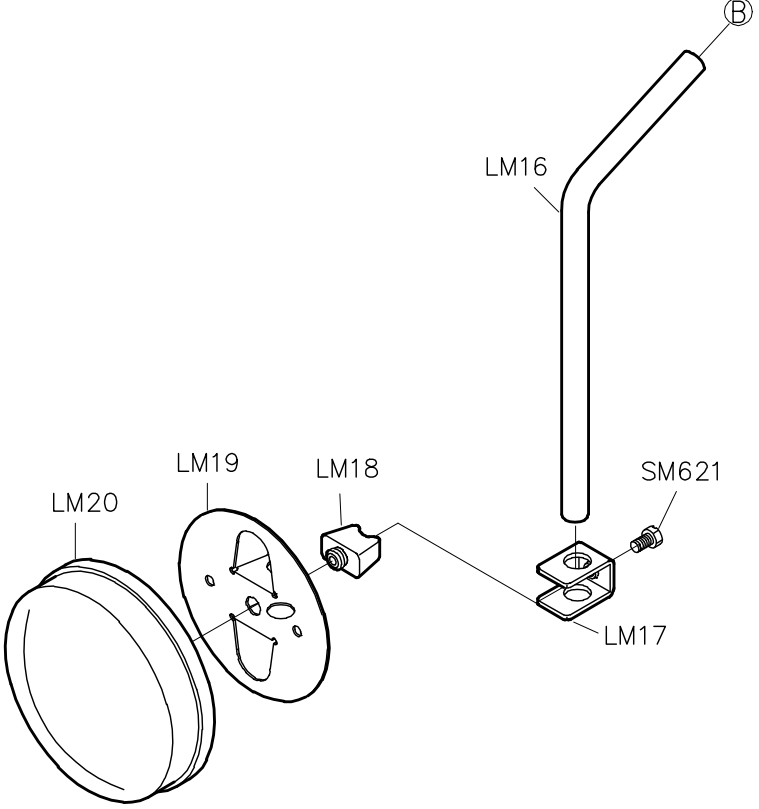
C

D

E

LM20-A

LM24-E



1

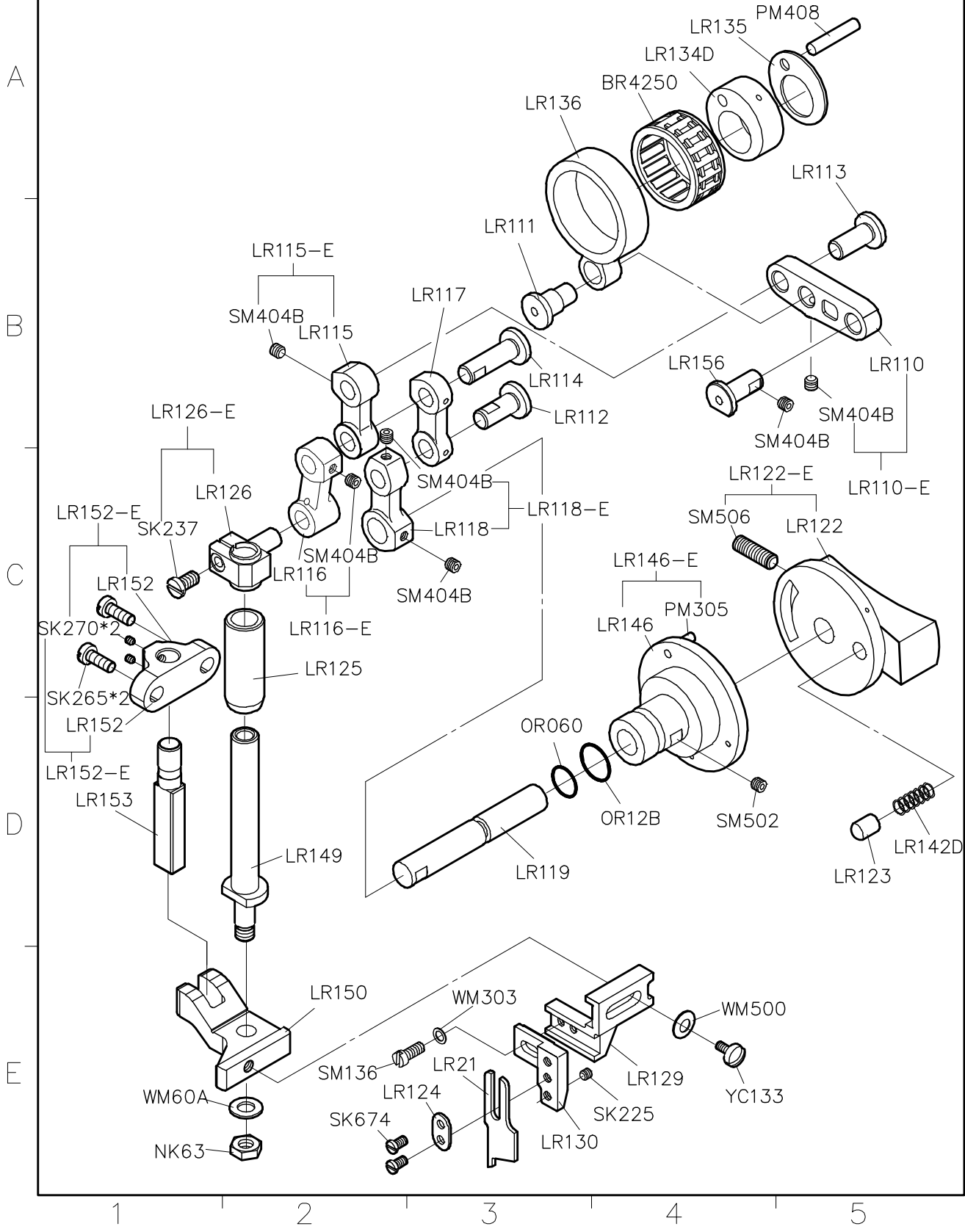
2

3

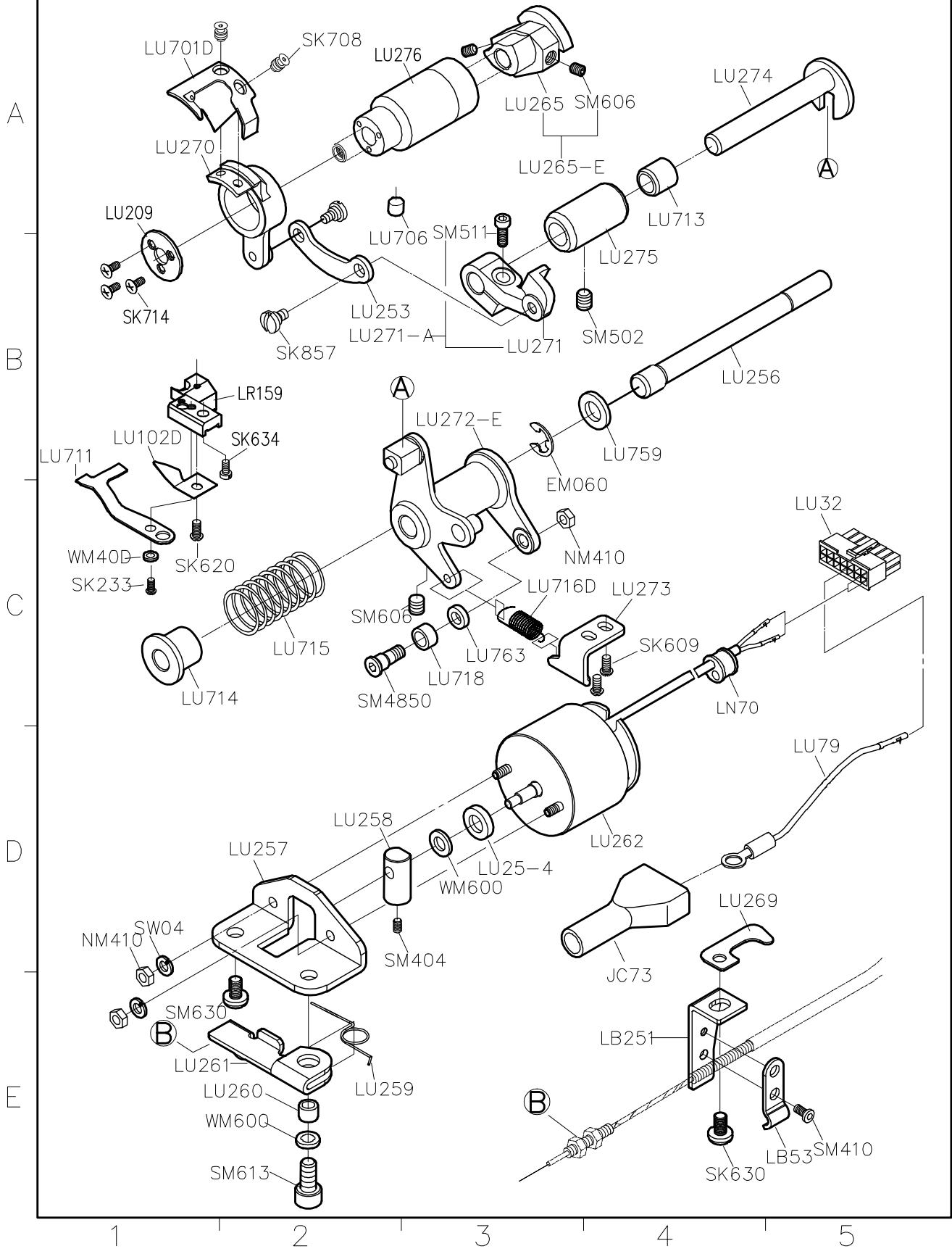
4

5

SIRUBA PARTS LIST	Series	Parts Group	Subclass / Remark	Page
	L918/U-RM1	LR		1/1
				Date
				2013/01/08

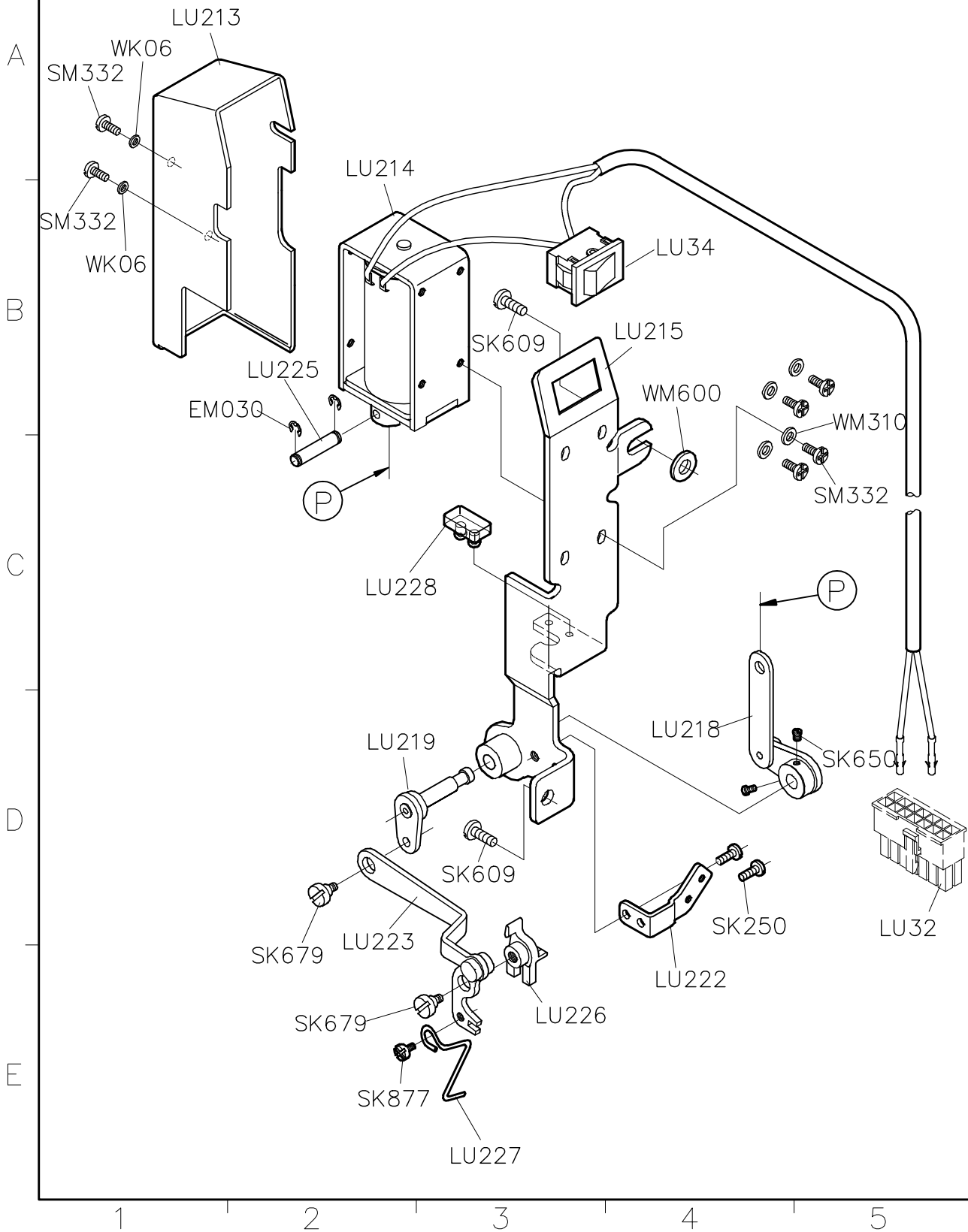


SIRUBA PARTS LIST	Series	Parts Group	Subclass / Remark	Page
	L918/U-RM1	LU		1/6
				Date
				2012/11/01

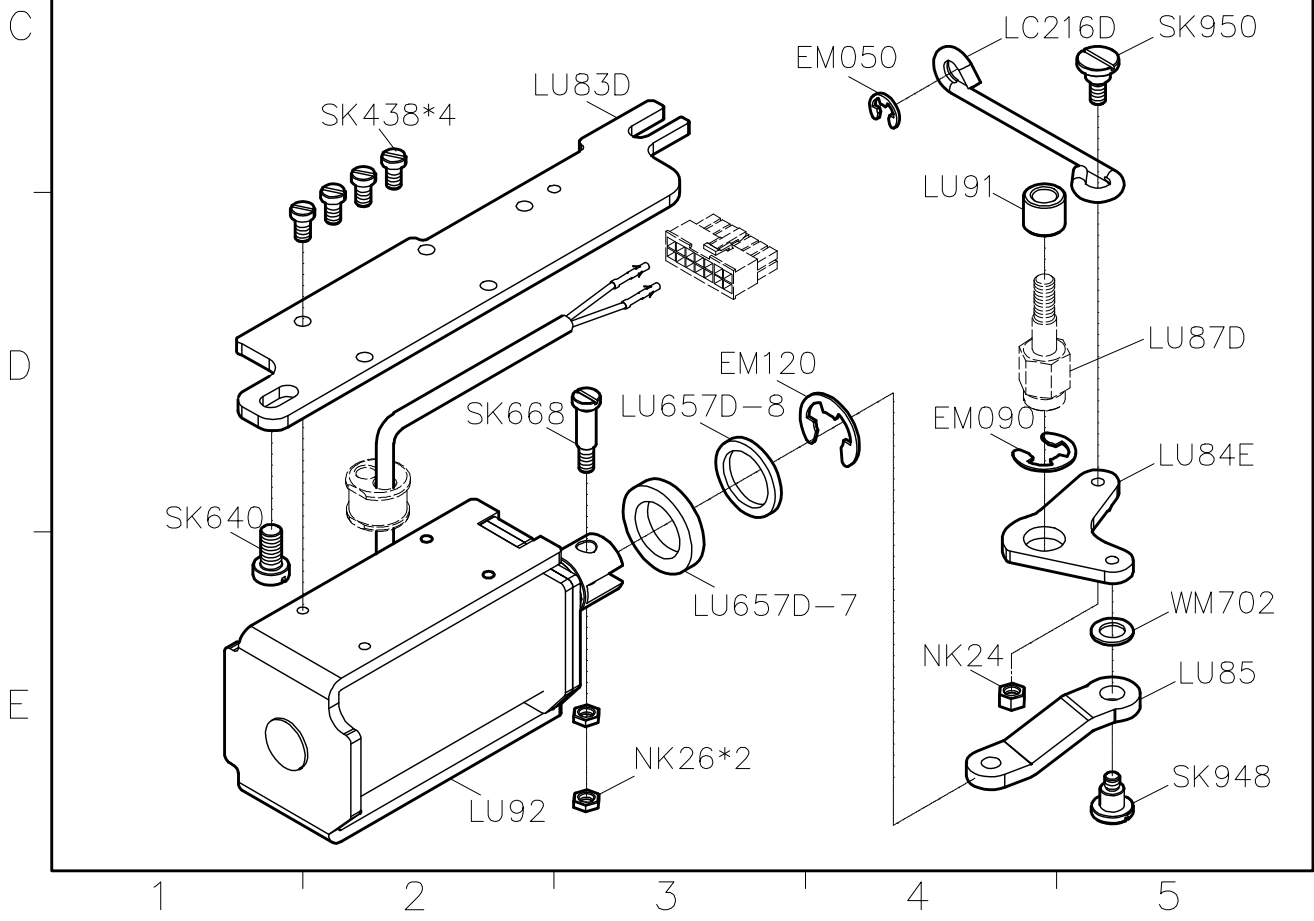
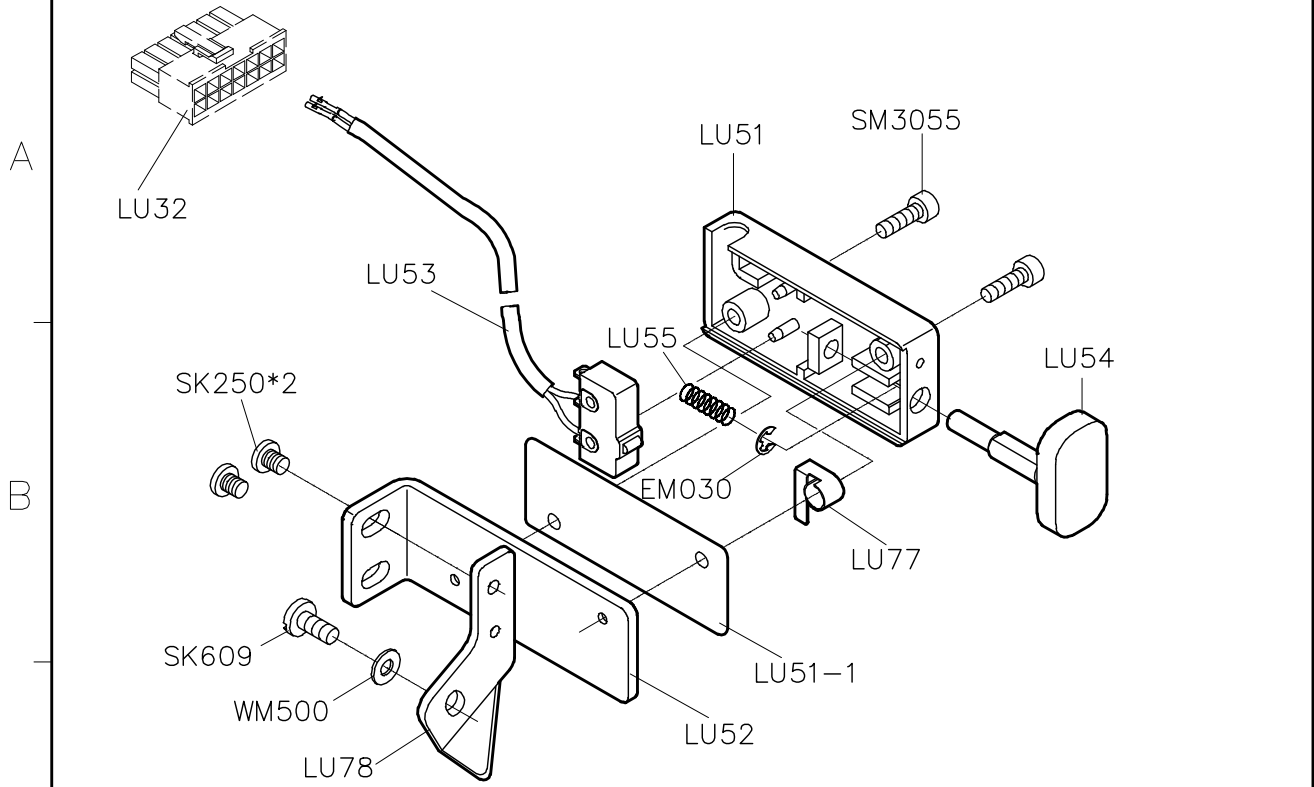


SIRUBA PARTS LIST	Series	Parts Group	Subclass / Remark	Page
	L918U-RM1	LU		2/6
				Date
				2012/11/01

LU215-A



SIRUBA PARTS LIST	Series	Parts Group	Subclass / Remark	Page
	L918U-RM1	LU		3/6
				Date
				2012/12/20

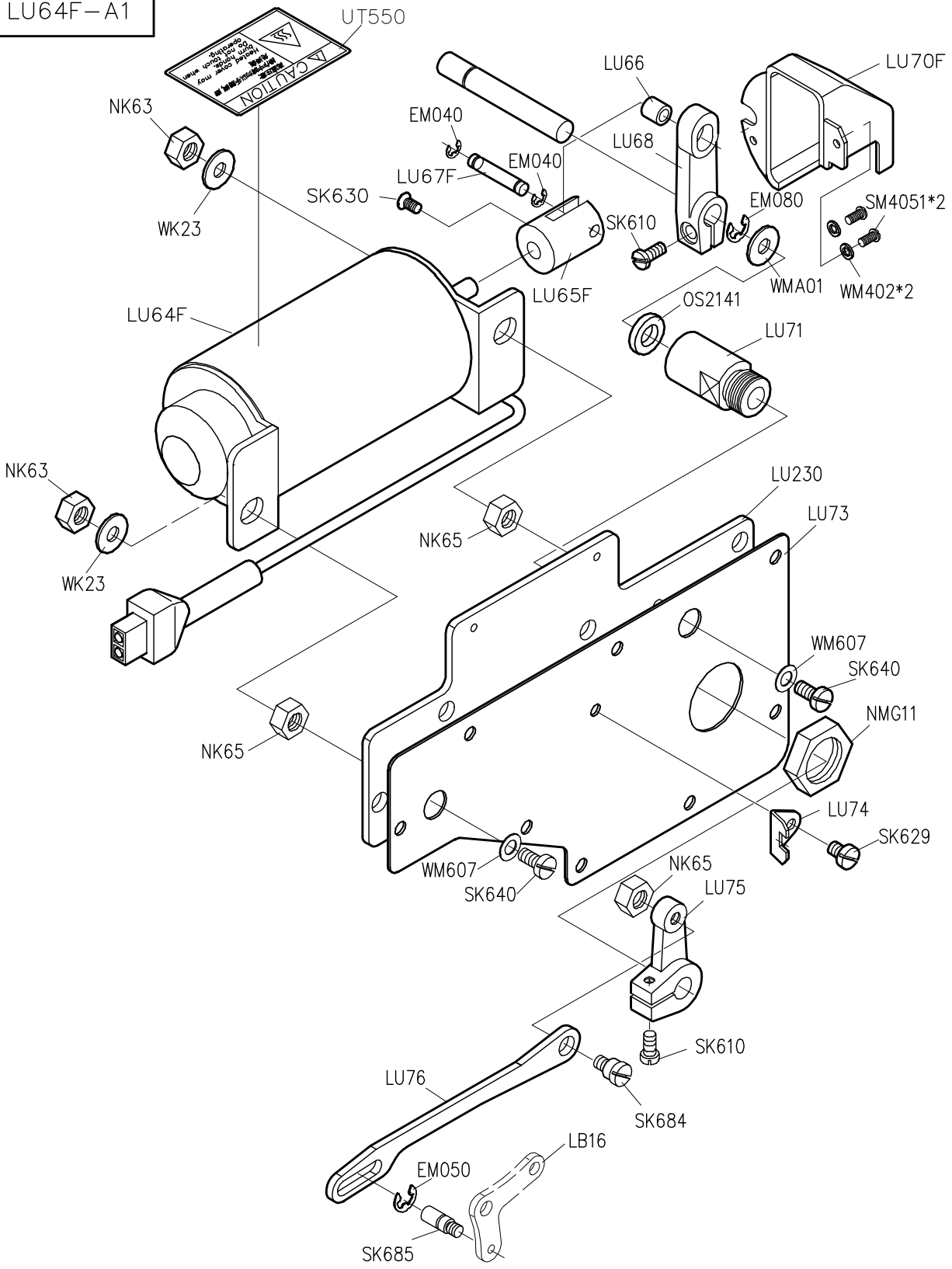


1 2 3 4 5

SIRUBA PARTS LIST	Series	Parts Group	Subclass / Remark	Page
	L918U-RM1	LU		4/6
				Date
				2012/11/01

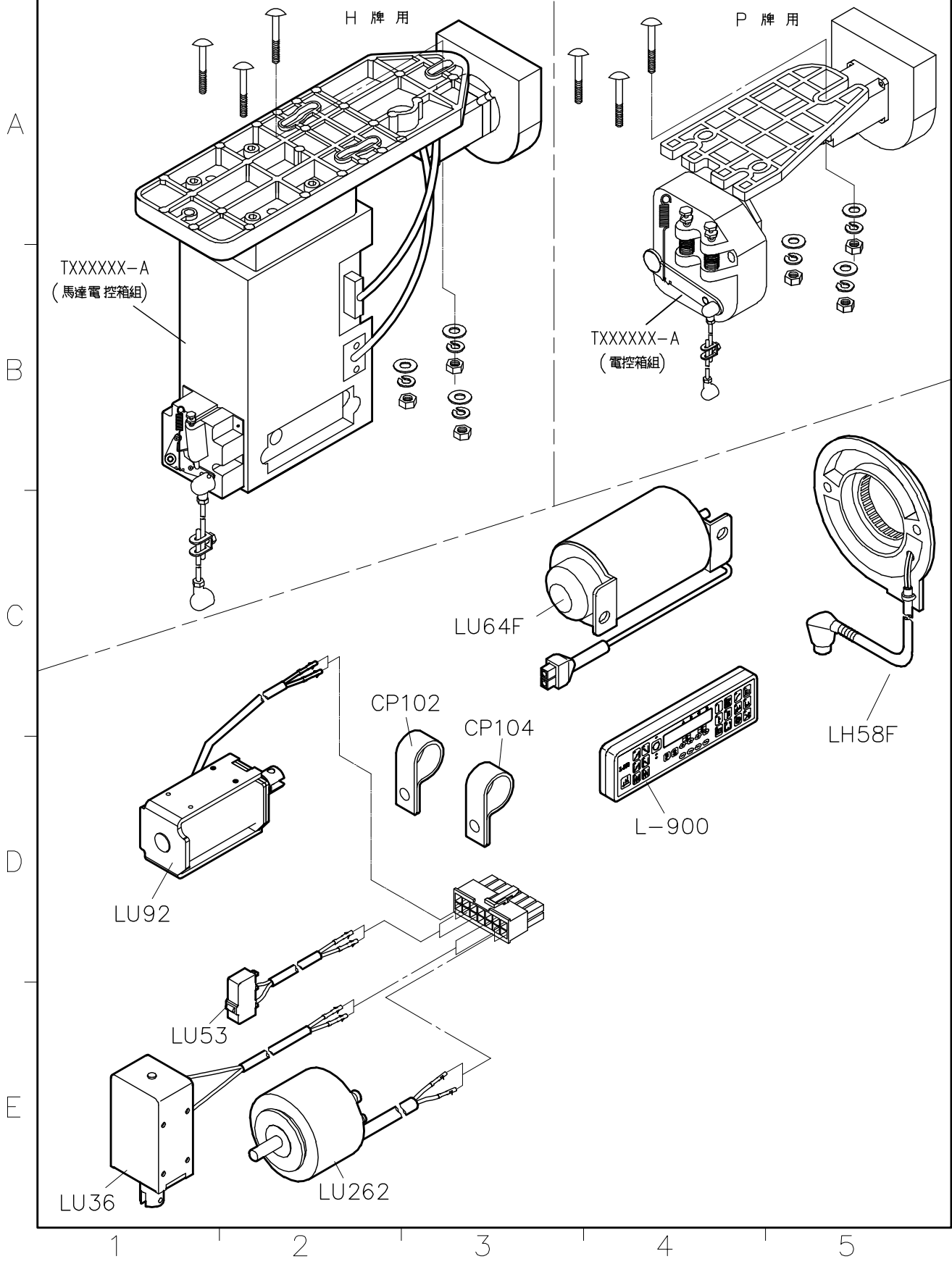
LU64F-A1

A
B
C
D
E



1 2 3 4 5

SIRUBA PARTS LIST	Series	Parts Group	Subclass / Remark	Page
	L918U-RM1	LU		5/6
				Date
				2012/11/01



SIRUBA PARTS LIST	Series	Parts Group	Subclass / Remark	Page
	L918U-RM1	LU		6/6
				Date
				2012/11/01

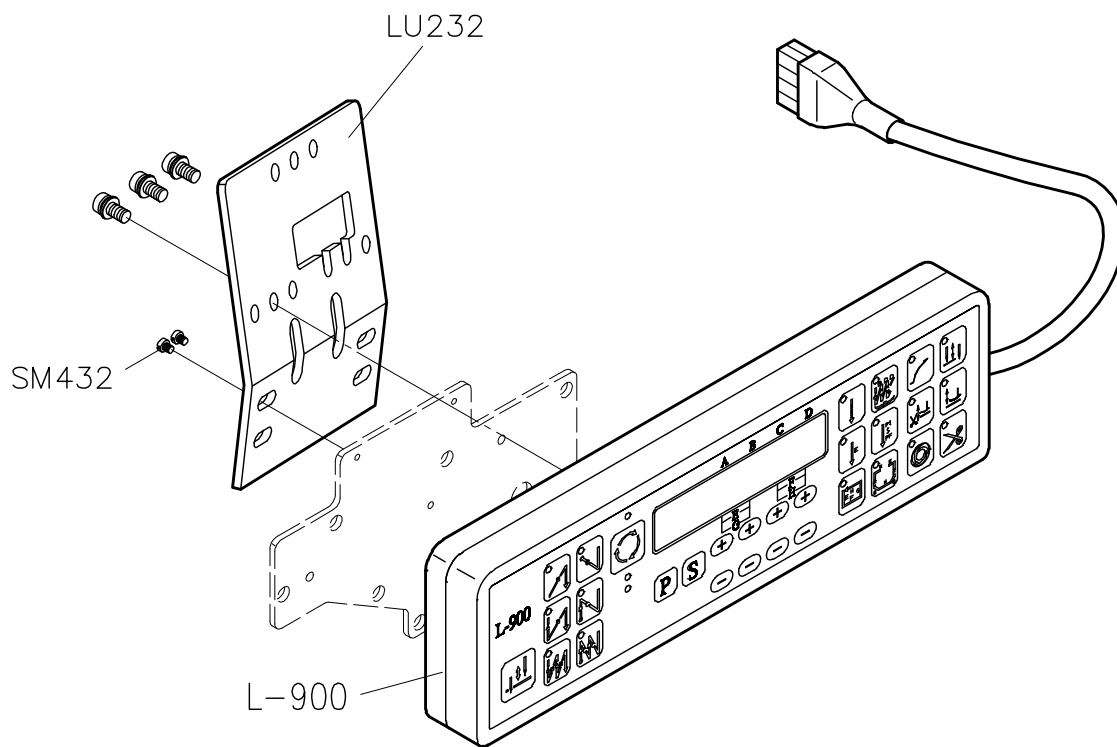
A

B

C

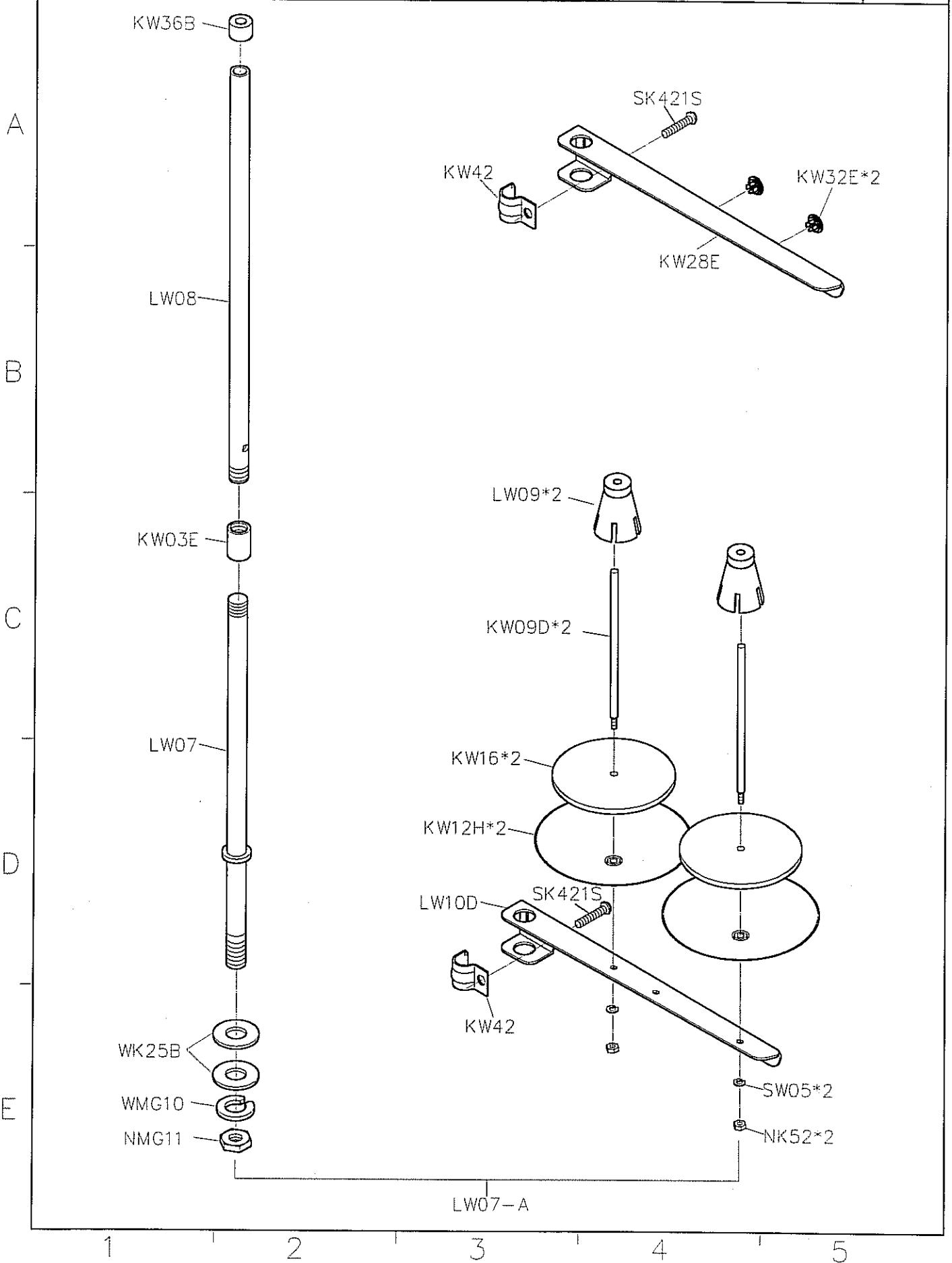
D

E


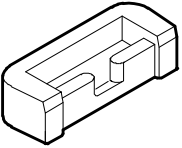
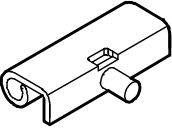

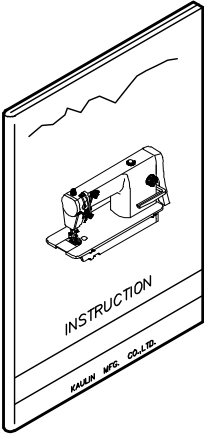
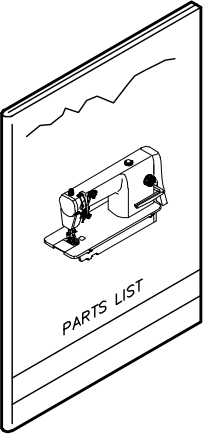
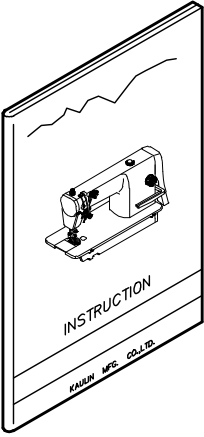
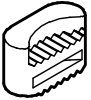





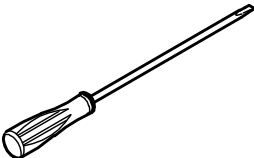
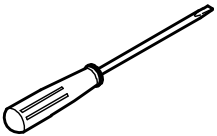
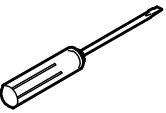



代碼 NO.	操作面板 Control Panel	代碼 NO.	自動切線 Auto THREAD Trimmer	快速倒縫 Reverse Feeding	撥線桿 Wiper	自動抬押具 Auto Lifer
1	L-900	0	√	√	—	—
		1	√	√	√	—
		2	√	√	—	√
		3	√	√	√	√

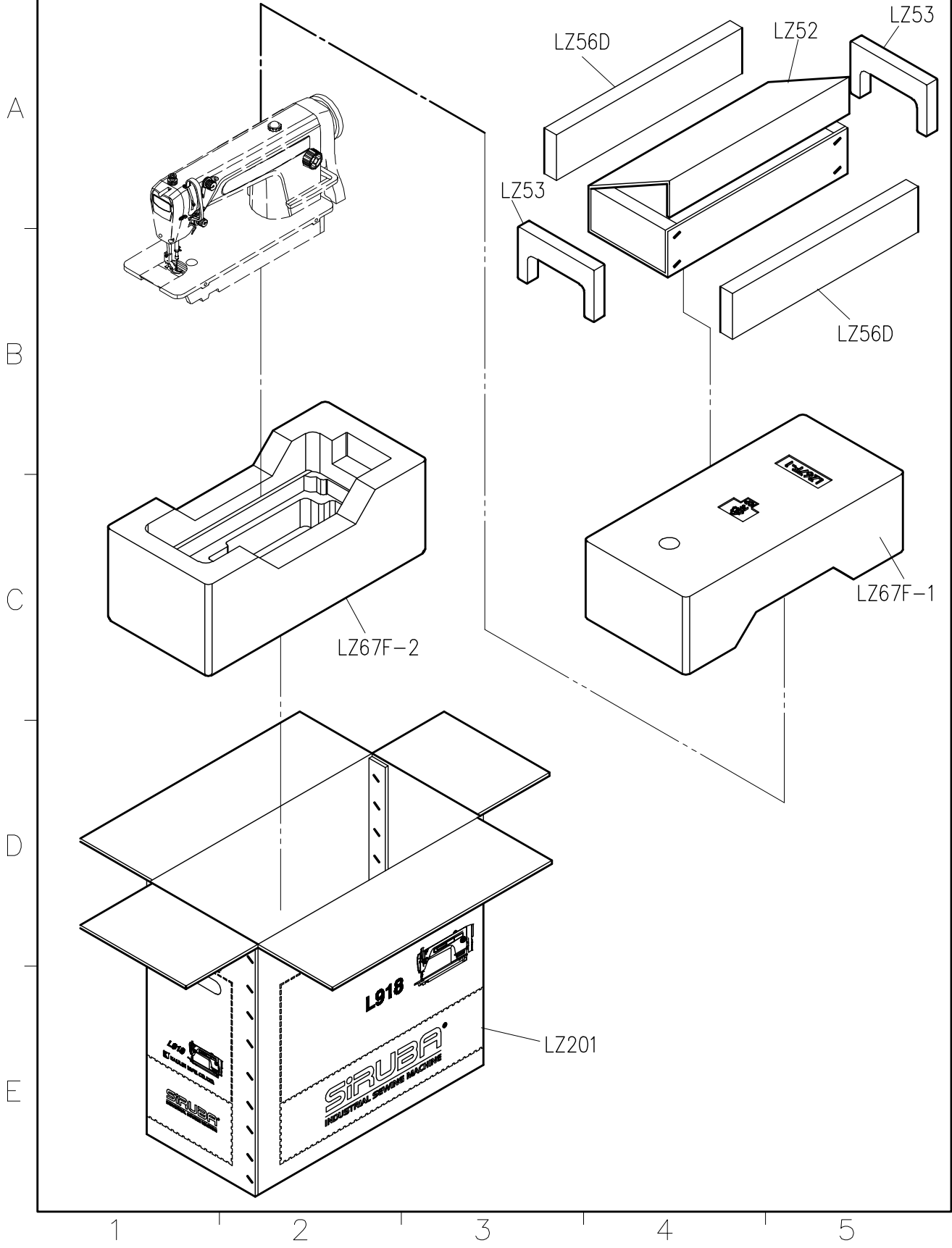
SIRUBA PARTS LIST	Series	Parts Group	Success / Remark	Page
	L918U-RM1	LW		1/1
				Date
				2012/04/10



SIRUBA PARTS LIST	Series	Parts Group	Subclass / Remark	Page
	L918U-RM1	LY		1/1
				Date
				2012/11/01

	LY02	YM04*2	LY05*2	YM102*2
A				
	LY219	LY224	LY200	YM103*2
B				
C				LY38
				
	針*2	KY201	G3XX	KZ03*1
D				
	LY33	LY34	LY35	LY37-A
E				
	1	2	3	4
				5

SIRUBA PARTS LIST	Series	Parts Group	Subclass / Remark	Page
	L918U-RM1	LZ		1/1
				Date
				2012/12/22



SIRUBA TABLE CUT - OUT	Series	Item Code	Subclass / Remark	Mounting
	L818D/L917 L918/L918U L819/L819U	L918-T1		Fully-submerged
				Date
				2013/01/01

